

L&L LOUVERS INC.

12355 DOHERTY STREET
 RIVERSIDE, CA. 92503
 (951) 735-9300 FAX:(951)735-4628
 E-MAIL: info@louver1.com

AZ-140

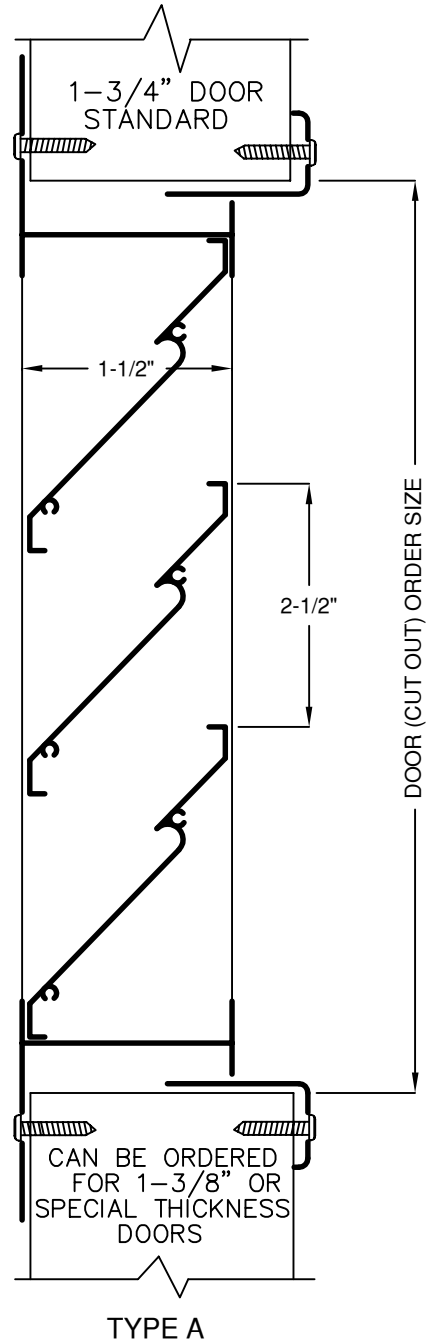
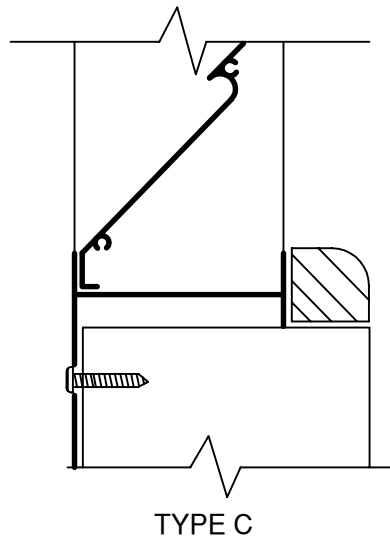
Aluminum "Z" Storm-Blade
 for Exterior Doors

ALUMINUM STORMPROOF BLADE DESIGN
 RECOMMENDED FOR SCHOOLS, CLASS "A" AND
 INSTITUTIONAL BUILDINGS.
 SUITABLE FOR BOTH WOOD AND METAL DOORS.

MANUFACTURED FROM .063" THICK 6063-T5
 EXTRUDED ALUMINUM WITH MITERED CORNERS.
 SUITABLE FOR EXTERIOR DOOR APPLICATIONS.
 SUPPLIED WITH # 8-3/4" PHILLIPS (PAN HEAD)
 SHEET METAL SCREWS.

IF SCREEN REQUIRED;
 SURFACE MOUNTED (ON JOB.)

FINISH: MILL ALUMINUM
 OTHER FINISHES AVAILABLE ON SPECIAL
 REQUEST.



| | | |
|-------------|--|-------|
| PROJECT: | | |
| LOCATION: | | |
| ARCHITECT: | | |
| CONTRACTOR: | | |
| CUSTOMER: | | DATE: |