

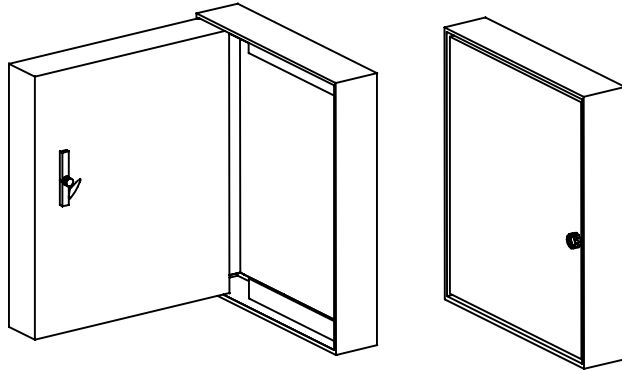
# L&L LOUVERS INC.

12355 DOHERTY STREET  
 RIVERSIDE, CA. 92503  
 (951) 735-9300 FAX:(951)735-4628  
 E-MAIL: info@louver1.com

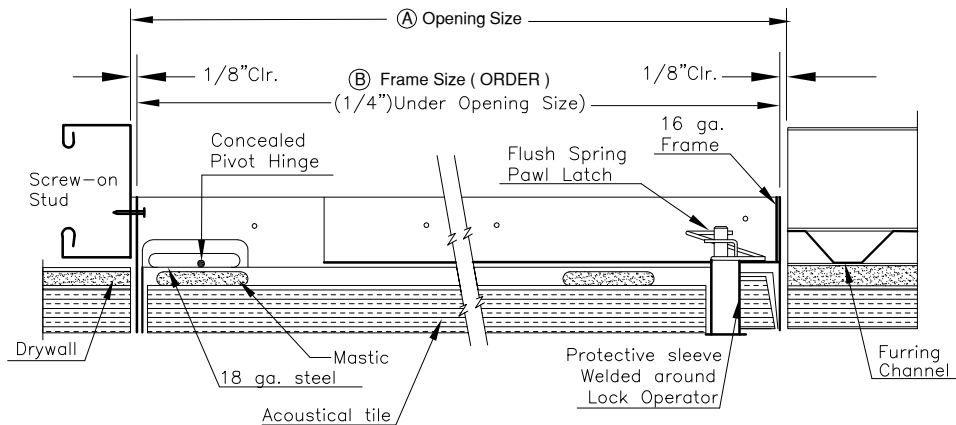
# MODEL 510-T

ACOUSTICAL TILE (RECESSED 1" PAN)  
 ACCESS DOOR

For installation in accoustical tile ceiling  
 or wallboard surfaces.



This 18-gauge steel door is intended for use in acoustical tile ceilings or in wallboard surfaces. Acoustical tile or wallboard may be applied to the surface of the door and finished in such a manner as to conceal or minimize the existence of the unit. The perimetre of the door is surrounded with a steel return to provide protection to whatever type of material is inserted into the pan. The flush spring pawl latch is supplied with a standard screwdriver operator but can be quickly easily exchanged for an Allen key stud. A steel or aluminium tube is welded to the surface of the door to provide protection to the attached surfaces when opening the unit. Key operated cylinder locks are available as an addition to, or in place of, the standard latches. The standard latches. The standard finish of stock items is a white backed enamel paint. Consult your local codes or building inspector for these instances.



**CONSTRUCTION:**

- DOOR:** 18 ga., 1" deep, galvanized (jetcoat) steel, with surrounding edge protection.
- FRAME:** 3" deep, 16 ga., galv. (jetcoat) steel.
- HINGE:** Continuous, piano type with stainless steel pin.
- LOCK:** Flush, screwdriver-operated, self-adjusting spring pawl latch. Allen keyed latches and keyed cylinder locks are available on request, as well as other special types of locking devices.
- FINISH:** Rustproof, "Cool-Phos", water-free iron phosphate coating baked on polyester powder paint. white semigloss color is standard.

**SIZES: (SEE PRICE LIST FOR STANDARD SIZES.)**

A	B	C	D
Opening	Frame (Order) Size 1/4" from A	-1 1/2" from B	Pan Size
(i.e.) 12 1/8" x 12 1/8"	12" x 12"	10 1/2" x 10 1/2"	12" x 12"

A - Opening Order Size  
 B - Frame Size-1/4" less than "A."  
 C - Clear opening - 1 1/12" less than "B."

L&L LOUVERS manufactures all sizes of access doors.

PROJECT:	
LOCATION:	
ARCHITECT:	
CONTRACTOR:	
CUSTOMER:	DATE: